



Part number

CHP 24 LS2



Brief description:

surface mounting housings with single lever, size "104.27", metal cover, Pg21 x 2, metal version, IP65

Product description		Approvals / Standards	
Version	metal version	Quality mark	 (type:4/4X/12),  , EAC
Series	surface mounting housings with single lever	Conformity	CQC, CE
Product type	with 1 lever	General ordering information	
Variant	metal cover	EAN13 code	8015747022620
Family	CLASS enclosures	Tariff number	85369095
Size	size "104.27"	Packaging Information	
Technical data		Packaging length	475,00 mm
Material	metal	Packaging height	180,00 mm
IP degree of protection	IP65	Packaging width	200,00 mm
Cable entry	Pg21 x 2	Packaging weight	4,70 kg
Further technical details		Packaging volume	17,10 dm ³
Weight	420,00 g	Packaging description	Carton box
		Packaging quantity	10 Pcs
		Packaging EAN code	8015747022637
		Sub-packaging weight	2,35 kg
		Sub-packaging description	Carton Box
		Sub-packaging quantity	5 Pcs
		Sub-packaging EAN barcode	8015747022644

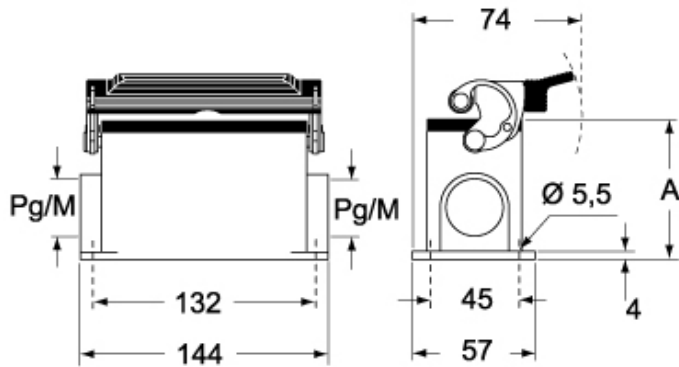
Part number

CHP 24 LS2

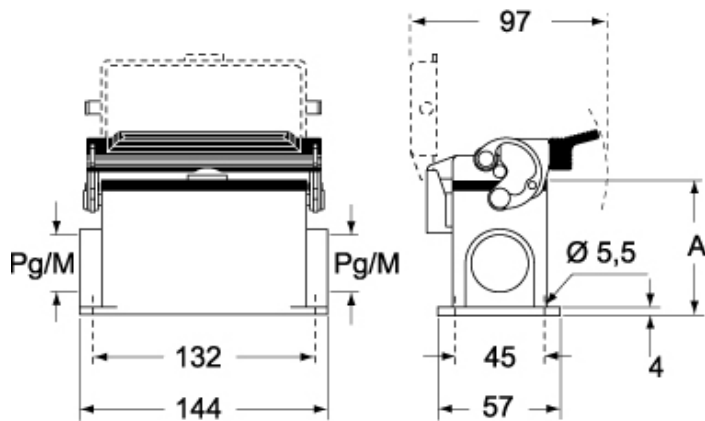


Catalogue drawings

CHP L CAP L - MHP L MAP L



CHP LS CAP LS - MHP LS MAP LS



	A
CHP L / MHP L	63
CAP L / MAP L	80
CHP LS / MHP LS	63
CAP LS / MAP LS	80